

Continental SCIENTIFIC

Glass Door General Purpose Laboratory/Pharmacy Freezers

Utilizing Environmentally Safe, CFC-free, R-404A Refrigerant



S1F-GD



S2F-GD



S3F-GD

Standard Features

- Modern, State-of-the Art Styling
- Performance Rated "Plug" Refrigeration System Utilizing Environmentally Safe R-404A Refrigerant
- 3" Non-CFC Polyurethane Foam Insulation
- Chrome-Plated Flow Line Handles
- Cam-Action Lift-Off Hinges
- Self-Closing Doors
- Fluorescent Interior Lighting
- Magnetic Snap-In Door Gaskets
- Cylinder Lock In Each Door
- Automatic Electric Condensate Evaporator
- 5" Casters
- Heavy-Duty, Epoxy-Coated Steel Shelves
- External Digital Thermometer
- Automatic Electric Defrost
- Adjustable Temperature Control, Range -22°C to -12°C, Factory Present at -20°C

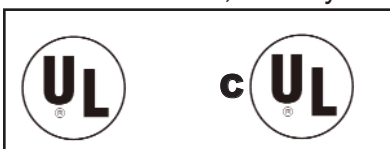
Standard (S/S Front, Aluminum End Panels & Interior)
Suffix SA (S/S Exterior, Aluminum Interior)
Suffix SS (S/S Exterior & Interior)

Optional Features & Accessories

- Legs
- Pass-Thru Doors
- Additional Shelves
- Rehinging of Doors
- Half Height Doors
- Stainless Steel Drawers
- 220/50/1 Voltage
- 220/60/1 Voltage
- Export Crating
- Minus 30°C
- Remote
- 7 Day Temperature Chart Recorder
- Audible/Visual Temperature Alarm
- Vapor Proof Duplex Outlet

Project Name: _____

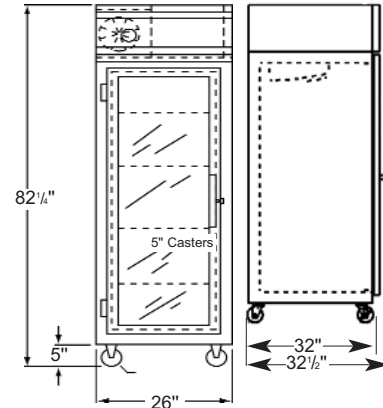
Item Number: _____



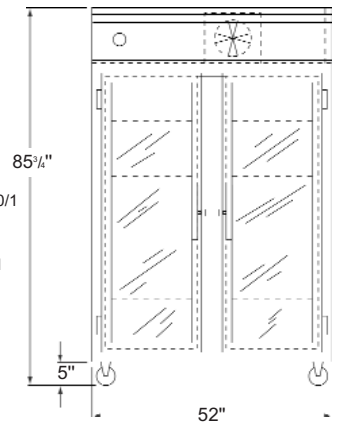
Glass Door General Purpose Laboratory/Pharmacy Freezers

SPECIFICATIONS

| CHARACTERISTICS DIMENSIONAL DATA | <u>Model</u> S1F-GD | | <u>Model</u> S2F-GD | | <u>Model</u> S3F-GD | |
|---|------------------------|-----------|------------------------|-----------|------------------------|-----------|
| | One Section | | Two Section | | Three Section | |
| | Reach-In | Pass-Thru | Reach-In | Pass-Thru | Reach-In | Pass-Thru |
| Net Capacity (cu. ft.) | 20 | 20 | 48 | 48 | 70 | 70 |
| Width, Overall (in.) | 26 | 26 | 52 | 52 | 78 | 78 |
| Depth, Overall (Incl. Hdls.) (in.) | 35½ | 39 | 35½ | 39 | 35½ | 39 |
| Depth (Less Door(s)) (in.) | 32 | 32 | 32 | 32 | 32 | 32 |
| Depth (Door(s) Open 90°) (in.) | 55½ | 79 | 55½ | 79 | 55½ | 79 |
| Clear Door Width (in.) | 19¾ | 19¾ | 19¾ | 19¾ | 19¾ | 19¾ |
| Clear Full-Door Height (in.) | 58⅝ | 58⅝ | 58⅝ | 58⅝ | 58⅝ | 58⅝ |
| Clear Half-Door Height (in.) | 27½ | 27½ | 27½ | 27½ | 27½ | 27½ |
| Height, Overall (inc. 5" Casters) (in.) | 82¼ | 82¼ | 85¾ | 85¾ | 85¾ | 85¾ |
| No. of Full Door(s) | 1 | 2 | 2 | 4 | 3 | 6 |
| No. of Half Door(s) | 2 | 4 | 4 | 8 | 6 | 12 |
| No. of Shelves | 4 | 4 | 8 | 8 | 12 | 12 |
| Shelf Area (sq. ft.) | 20.4 | 20.4 | 40.8 | 40.8 | 61.2 | 61.2 |

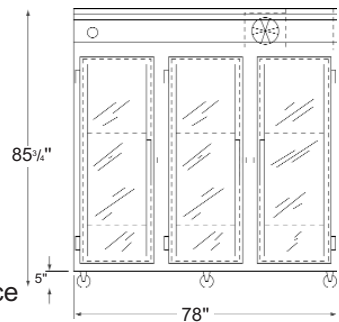


| REFRIGERATION DATA | S1F-GD | | S2F-GD | | S3F-GD | |
|-----------------------------|--------|------|--------|------|--------|------|
| Condensing Unit Size (H.P.) | ½ | ½ | 1 | 1 | 2 | 2 |
| Capacity (BTU/Hr)* | 2470 | 2470 | 4325 | 4325 | 6050 | 6050 |



| ELECTRICAL DATA | S1F-GD | | S2F-GD | | S3F-GD | |
|---------------------------|----------|----------|------------------|------------------|------------------|------------------|
| Cabinet Specifications | 115/60/1 | 115/60/1 | 115/208-230/60/1 | 115/208-230/60/1 | 115/208-230/60/1 | 115/208-230/60/1 |
| Feed Wires (Incl. Ground) | 3 | 3 | 4 | 4 | 4 | 4 |
| Condensing Unit Specs. | 115/60/1 | 115/60/1 | 208-230/60/1 | 208-230/60/1 | 208-230/60/1 | 208-230/60/1 |
| Total Amperes | 11.4 | 11.7 | 13.0 | 13.7 | 15.8 | 16.8 |
| Cabinet Amperes | 3.5 | 3.8 | 4.8 | 5.5 | 6.1 | 7.1 |
| Defrost Amperes | 5.2 | 5.2 | 9.6 | 9.6 | 10.4 | 10.4 |
| Power Supply Cord | yes | yes | no | no | no | no |

| SHIPPING DATA | S1F-GD | | S2F-GD | | S3F-GD | |
|------------------------------|--------|-----|--------|-----|--------|------|
| Height - crated (in.) | 82 | 82 | 85½ | 85½ | 85½ | 85½ |
| Width - crated (in.) | 31⅝ | 31⅝ | 64 | 64 | 90 | 90 |
| Depth - crated (in.) | 42 | 42 | 42 | 42 | 42 | 42 |
| Volume - crated (cu.ft.) | 63 | 63 | 129 | 129 | 181 | 181 |
| Weight Std - crated (lbs.) | 330 | 395 | 565 | 705 | 805 | 930 |
| Weight SS - crated (lbs.) | 390 | 455 | 645 | 785 | 920 | 1045 |
| Weight Std - uncrated (lbs.) | 230 | 265 | 395 | 515 | 595 | 705 |
| Weight SS - uncrated (lbs.) | 290 | 325 | 475 | 595 | 710 | 820 |



* Rating @ -15°F Evaporator, 90° Ambient
 Note: All specifications subject to change without notice.
 Note: If the cabinet is located directly against wall and/or under low ceiling, a minimum clearance of 2" is required.



A Division of National Refrigeration & A/C Products
 539 Dunksferry Road • Bensalem, PA 19020
 (215) 244-1400 • (800) 523-7138 • Fax: (215) 244-9579
 www.continentalscientific.com